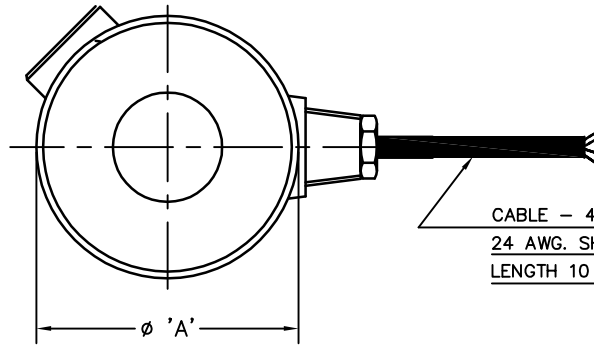
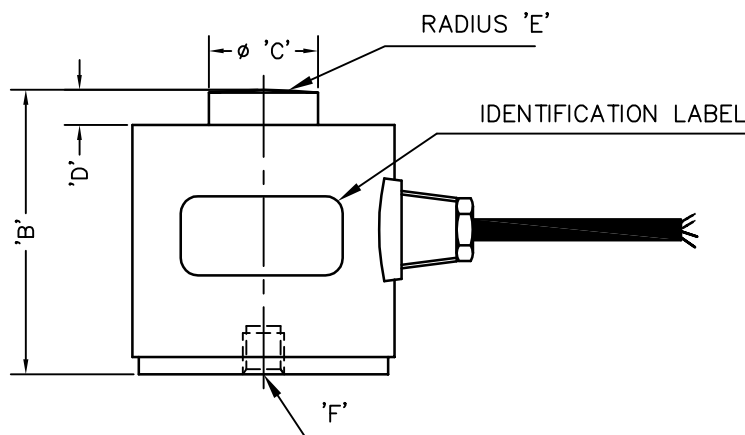


| CAPACITY | ∅ A | B | ∅ C | D | E | THREAD F |
|-----------------|--------|-------|-------|-------|--------|---------------------|
| 10, 23, 30 tons | 76.20 | 82.60 | 31.70 | 10.20 | 152.40 | M12x1.75, DEEP 11.0 |
| 45 tons | 101.60 | 127.0 | 58.70 | 13.00 | 152.40 | M20x2.5, DEEP 14.0 |



CABLE - 4 CONDUCTOR
24 AWG. SHIELDED & JACKETED
LENGTH 10 mts STD OR PER SALES ORDER.



| WIRING | | |
|--------|--------|---|
| RED | EXC. | + |
| BLACK | EXC. | - |
| GREEN | OUTPUT | + |
| WHITE | OUTPUT | - |
| SHIELD | GROUND | |

Dimensions are in mm.
Specifications subject to change

| | |
|--|--|
| Full Scale Output | 1.75 mV/V |
| Tolerance on Output | ± 0.25% FS |
| Zero Balance | < ± 1% FS |
| Non-Linearity | < ± 0.070% FS |
| Hysteresis | < ± 0.020% FS |
| Non-Repeatability | < 0.01% FS |
| Creep in 30 min | 0.03% FS |
| Operating Temperature Range | -20 to +70 deg c |
| Rated Excitation | 10 V DC |
| Maximum Excitation | 15 V DC |
| Input Resistance | 447-453 ohms |
| Output Resistance | 475-485 ohms |
| Insulation Resistance (@ 50 VDC) | >1000 meg ohms |
| Temperature Effect on Span / Deg C (of Load) | ± 0.001% |
| Temperature Effect on Zero / Deg C | < ± 0.002% |
| Combined Error (FSO) | < ± 0.10% |
| Safe Overload (FSO) | 150 % |
| Ultimate Overload (FSO) | 300 % |
| Protection Class | IP68 |
| Material of Construction | Alloy Steel with stainless steel cover & Corrosion Resistant Coating |
| Special Features | Surge voltage protection circuit included |



HEAD OFFICE / FACTORY:

Vishay Transducers India Limited,
No.117, Old Mahabalipuram Road,
Karapakkam, Chennai - 600 097.
Tel: +91 44 3917 4000
Fax: +91 44 3917 4002